

Product data sheet

Characteristics

MJL36500

Circuit Breaker, PowerPact M, unit mount, electronic trip, 500A, 3 pole, 25 kA, 600 VAC, lugs both ends



Product availability: Non-Stock - Not normally stocked in distribution facility

Price*: 9456.00 USD



Main

Product or component type	Circuit breaker
---------------------------	-----------------

Complementary

Line Rated Current	500 A
Poles description	3P
Breaking capacity code	J
Magnetic tripping current	1000...5000 A
Electrical connection	Lugs load Lugs line
Terminal identifier	AL800M23K
Tightening torque	442.54 Lbf.In (50 N.m) 0.15...0.37 in ² (95...240 mm ²) (AWG 3/0...500 kcmil)
Height	12.86 In (326.6 mm)
Width	0.32 In (8.06 mm)
Depth	8.27 In (210 mm)
Continuous current rating	80 %

Ordering and shipping details

Category	01205 - MG, MJ UNIT MOUNT BREAKER
Discount Schedule	DE2
GTIN	00785901570196
Nbr. of units in pkg.	1
Package weight(Lbs)	28.95 Lb(US) (13.131 kg)
Returnability	No
Country of origin	US

Packing Units

Unit Type of Package 1	PCE
Package 1 Height	10.70 In (27.178 cm)
Package 1 width	12.50 In (31.75 cm)
Package 1 Length	18.50 In (46.99 cm)

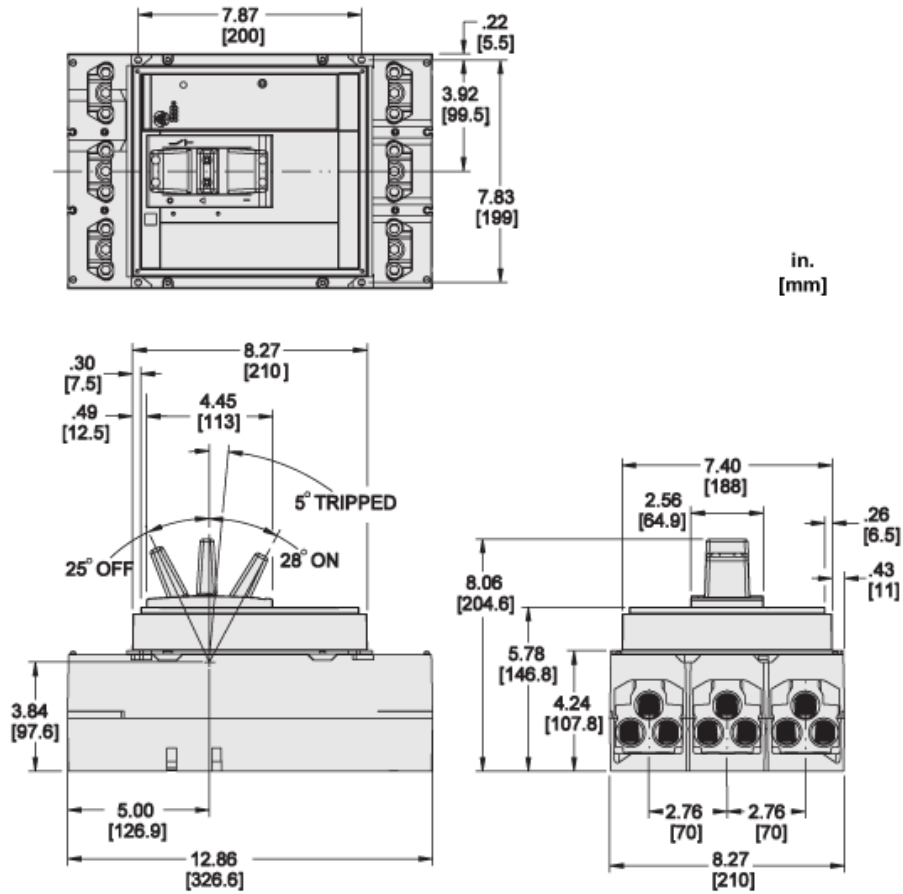
Offer Sustainability

Sustainable offer status	Green Premium product
California proposition 65	WARNING: This product can expose you to chemicals including: DIN-P, which is known to the State of California to cause cancer, and DID-P, which is known to the State of California to cause birth defects or other reproductive harm. For more information go to www.P65Warnings.ca.gov
REACH Regulation	REACH Declaration
EU RoHS Directive	Compliant EU RoHS Declaration
Mercury free	Yes
RoHS exemption information	Yes
China RoHS Regulation	China RoHS Declaration
Environmental Disclosure	Product Environmental Profile
Circularity Profile	End Of Life Information
PVC free	Yes

Contractual warranty

Warranty	18 months
----------	-----------

Approximate Dimensions



Product Life Status : **End of commerc. announced**

MJL36500 may be replaced by any of the following products:



MJL36800E10

Circuit breaker, PowerPact M, adj trip, unit mount, 300A-800A, 3 pole, 25 kA, 600 V, lugs

Qty 1

Substitution date: |